

# 42" DOMINIC DOUBLE BOWL FARMER SINK

Cat. No  
FSSDB2612-SS



W: 42"  
D: 20-<sup>3</sup>/<sub>4</sub>"  
H: 10-<sup>1</sup>/<sub>4</sub>"

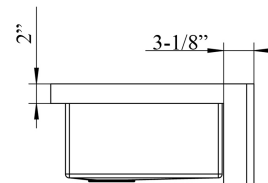
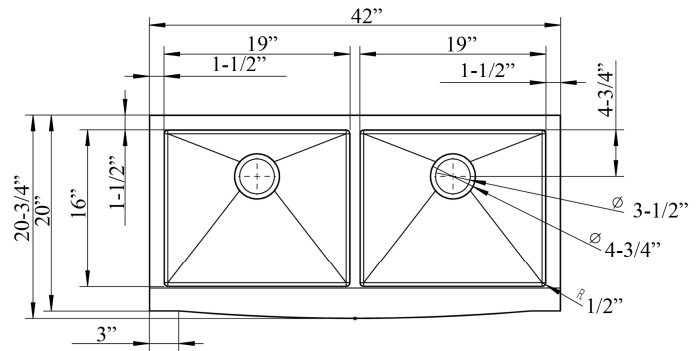
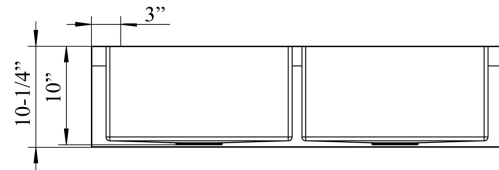
**\*Please do NOT cut hole without template or actual product.**

### Interior Dimensions:

Basin Interior: 19" W x 16" D  
Basin Depth: 10"

### Features:

- ▶ Double bowl
- ▶ Solid 16 gauge, 304 grade metal construction
- ▶ Tight radius corners
- ▶ Template included
- ▶ Coated for sound insulation
- ▶ Matte finish
- ▶ Rim is 1-<sup>1</sup>/<sub>2</sub>" on sides and back, 3-<sup>1</sup>/<sub>4</sub>" in front
- ▶ Accommodates 3-<sup>1</sup>/<sub>2</sub>" drain
- ▶ Drain sold separately
- ▶ Wire grid available to purchase separately, **FSSDB2612-WIRE**



Dimensions of fixture are nominal and may vary within the range of tolerances established by ANSI Standard A112.19.2. Dimensions and specifications subject to change without notice.